

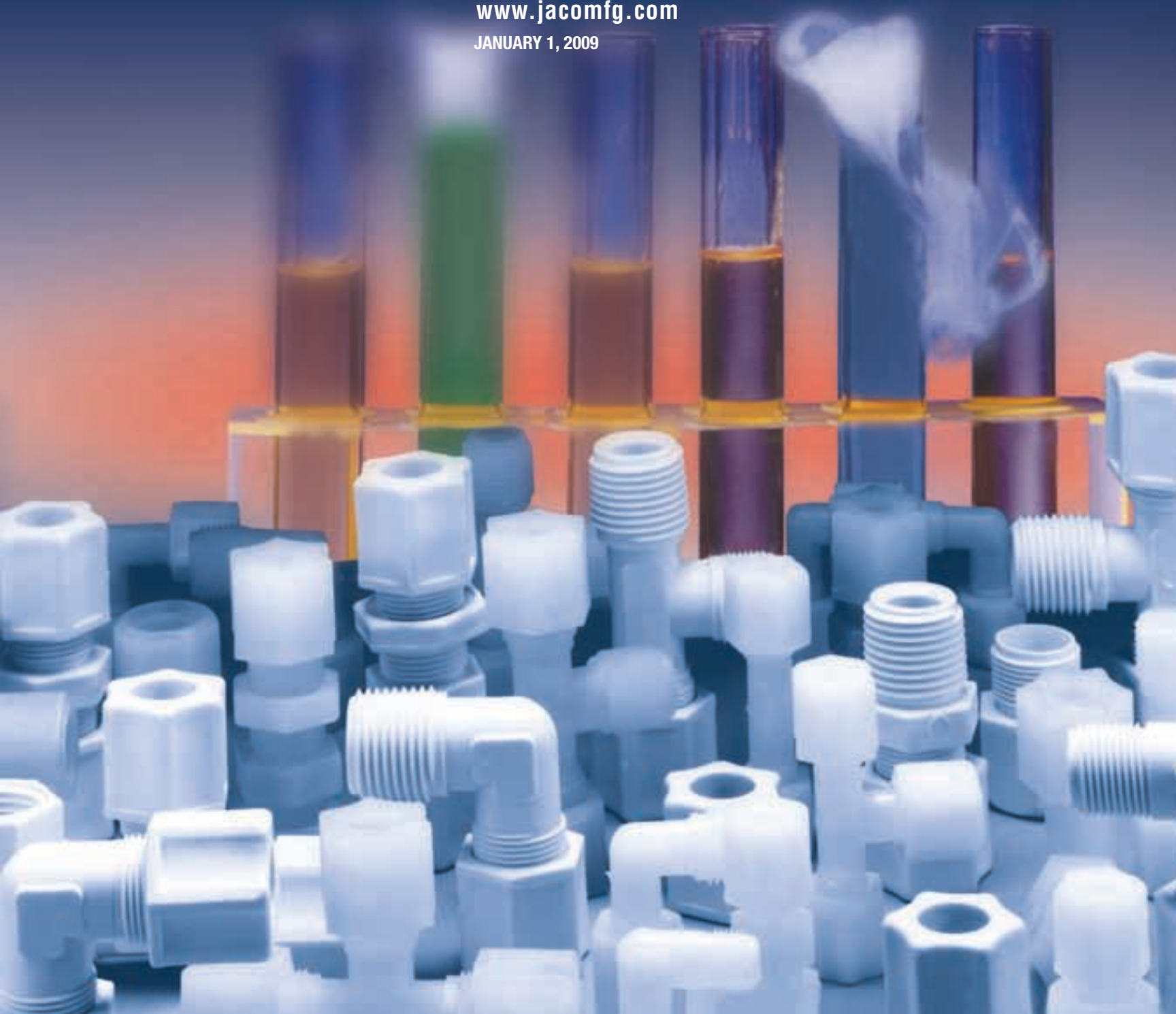
# JACO

## COMPRESSION TUBE FITTINGS PRODUCT CATALOG

UNIQUE FITTINGS MOLDED FROM FOUR  
CORROSION-RESISTANT THERMORESINS

[www.jacomfg.com](http://www.jacomfg.com)

JANUARY 1, 2009



# Plastic Fittings That Revolutionized The Techniques of Connecting Tubes.

JACO understands the needs of the plastics industry – from knowing how businesses operate to in-depth engineering design and applications.

For over 50 years, we have constantly looked for ways to make plastic parts better. And we've developed solutions in new technologies, equipment and products that have been solid contributors to industry.

JACO's innovative engineering, combined with our ability to produce precision plastic parts, led to the development of our compression fittings line.

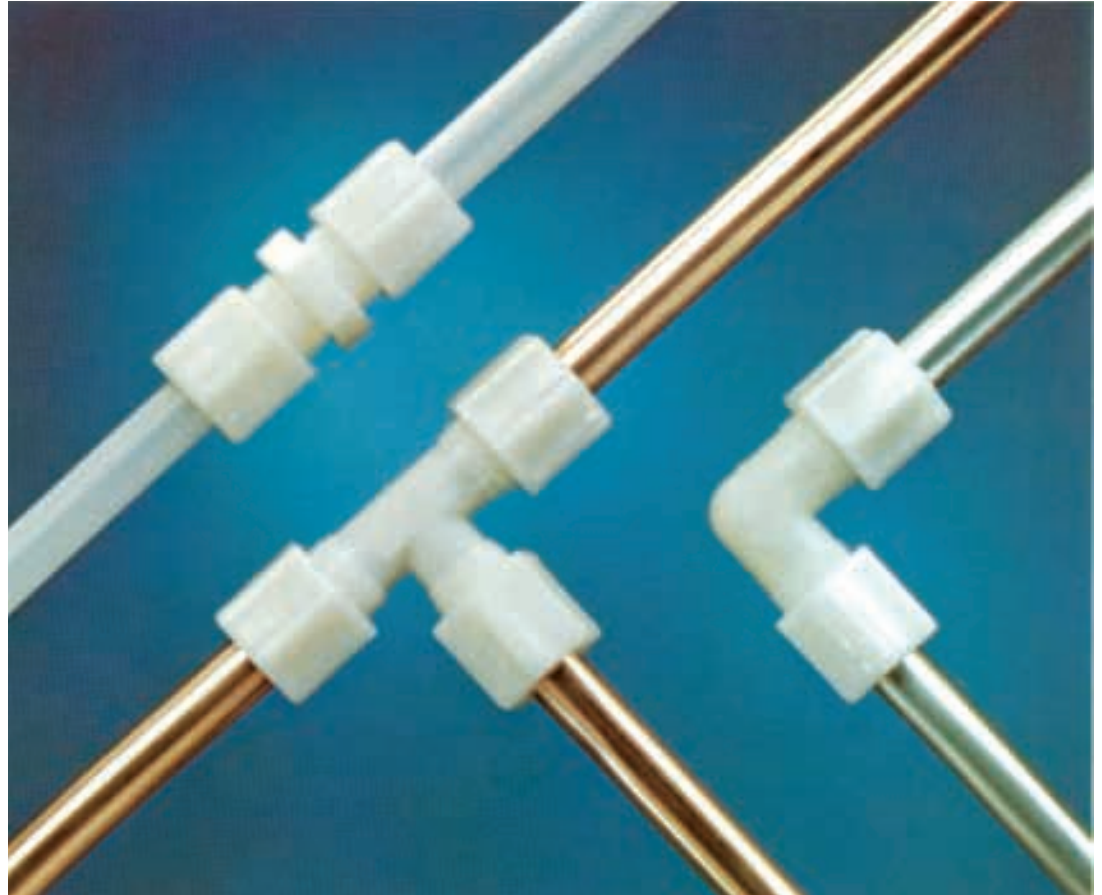
Compression type metallic fittings have a loose ferrule which requires extra assembly. JACO has been able to mold the sleeve as an integral part of the nut, eliminating the need for a two-piece assembly.

Although fittings were originally developed for copper tubing, other fittings were then later engineered with plastic grippers for plastic tubing.

Today, JACO fittings are widely used with all types of tubing including copper, plastic, aluminum and glass.

JACO compression fittings typically cost less than metal fittings and they offer better resistance to corrosion and chemicals. Additionally, we offer four different plastic resins for a range of applications dealing with temperatures, acids and chemicals. JACO plastic fittings offer these additional advantages:

- ◆ Good electrical insulating qualities which eliminate electrolytic action that usually corrodes tubing when dissimilar metal meets a fitting.



- ◆ The ability to absorb mechanical and acoustical vibrations because of the low density and softness of plastic.
- ◆ An inherently low resistance to flow, due to smooth internal surface.
- ◆ A resistance to scale buildup.

Fittings are available in size ranges from 1/8" through 7/8" tube O.D. in all common configurations, such as union, bulkhead, male and female connectors, male branch and male run tees, tee unions and ferrule nuts. Metric sizes are also available on a special order basis.

Various resins are used, depending on the application. JACO plastic fittings are made of either nylon, acetal copolymer, polypropylene, or polyvinylidene fluoride.

# HOW TO SELECT MATERIALS

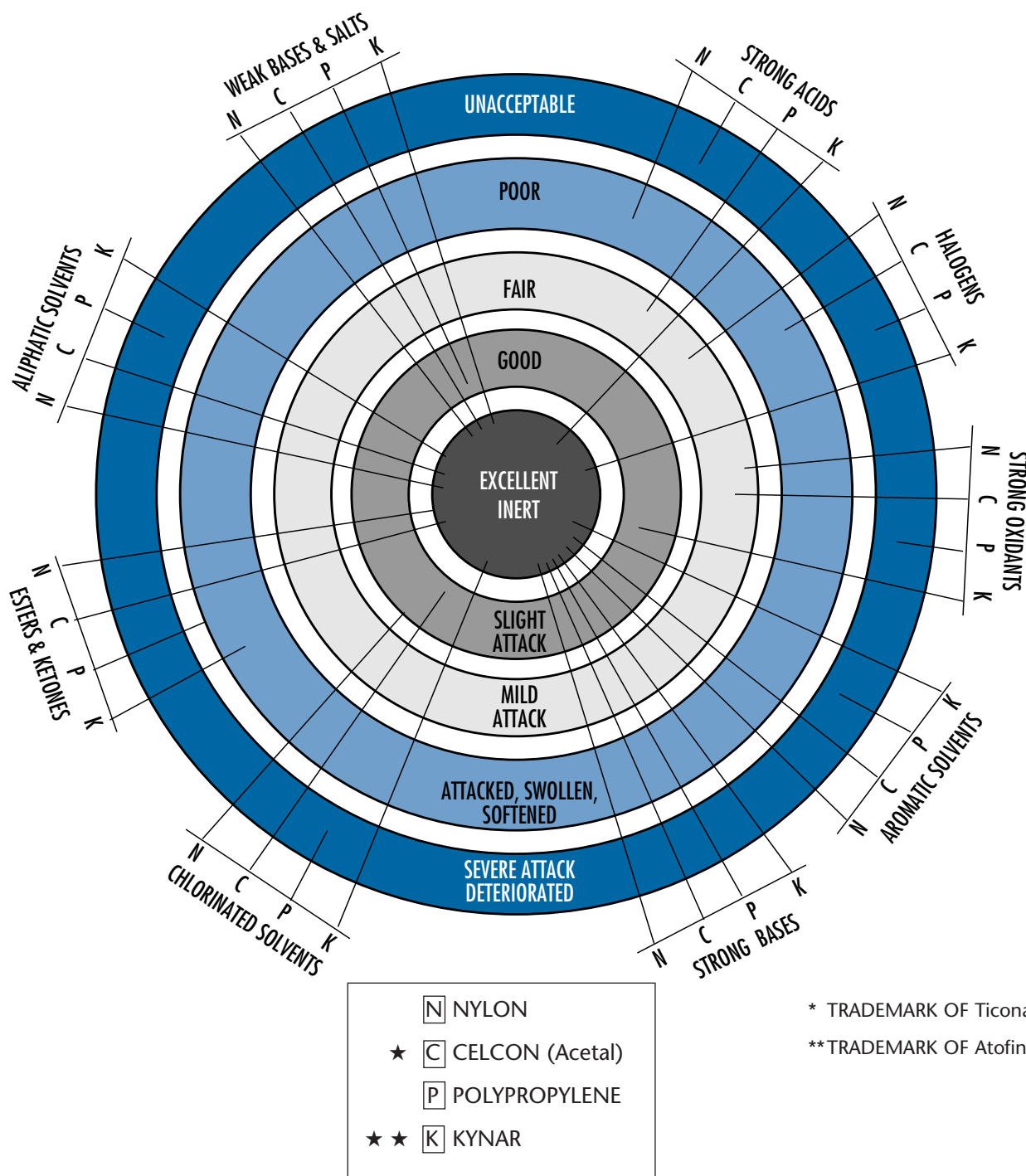
**(N) Nylon** has good resistance to organic solvents, oils and gasoline. Good strength at high temperatures. Material rating: -40° to 200°F. Cold and hot-water applications. Longtime weathering resistance. Good impact resistance, both single and repeated. Not recommended for use with ammonium, boric acid, calcium, sulfuric acid, or hydrochloric acid. F.D.A. listed. Also N.S.F. listed.

**(C) Celcon**, or acetal copolymer, has high tensile strength and good impact resistance over a broad temperature range. Translucent white color. Not affected by continuous hot-water service and works smoothly with metal tubing. Celcon cannot be recommended for continuous exposure to solutions with a chlorine

concentration greater than 1 ppm. Material is rated at -40° to 200°F in open air, and rated for 180°F in water applications. Unaffected by most inorganics, except sulfuric, nitric and hydrochloric acids. Listed by U.S.D.A. and F.D.A. for coffee, milk and antibiotics. Also N.S.F. listed. Should not be continuously exposed to sunlight.

**(P) Polypropylene** has good chemical resistance. Material is rated at -30 to 215°. Opaque, white color. Unaffected by most weak acids and alkalis. Below 175°F it has good resistance to organic solvents. Do not use with oxidants or strong acids or in continuous sunlight. N.S.F. listed. 20% glass filled for improved stiffness.

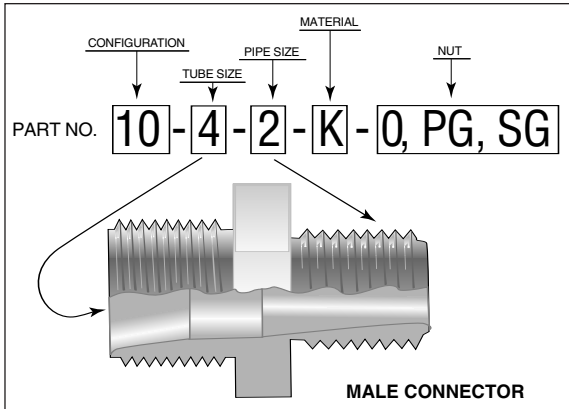
**(K) Kynar**, a polyvinylidene fluoride, has outstanding chemical resistance for handling highly corrosive fluids. Material rated at -80 to 275°, with a cloudy, white color. F.D.A. listed, N.S.F. Listed.



Operating temperatures of JACO Tube Fittings are regulated by ambient and fluid temperatures, type of fluid being carried, tubing type, and conditions of mechanical abuse. Temperatures listed are designated as material ratings only. Testing of complete fitting in customer application is recommended.

440-234-4000 Phone  
 800-229-JACO Toll-Free  
 440-234-7007 Fittings Fax  
 www.jacomfg.com

# HOW TO ORDER JACO TUBE COMPRESSION FITTINGS



The part number for JACO compression Fittings is designed so that each number and letter immediately identifies the shape, size and material.

For example: the first number identifies the shape, I.E.

- 10 = Male Connector,
- 25 = Female Connector,
- 50 = Union Elbow, etc.

The second number designates the tube size, in 1/16" increments, I.E.

- 4 = 1/4" O.D. Tubing,
- 8 = 1/2" O.D. Tubing.

The third number, also in 1/16" increments, (unless a Union type fitting is required), designates the pipe size.

The letter following the numbers indicates the material:

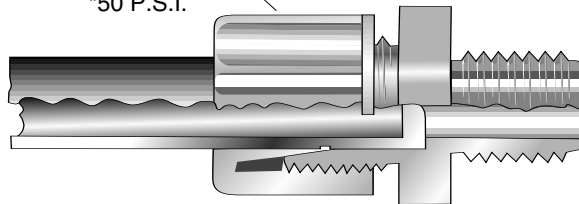
- K = Kynar
- N = Nylon
- P = Polypropylene
- C = Celcon

The last letter(s) denote the nut desired:

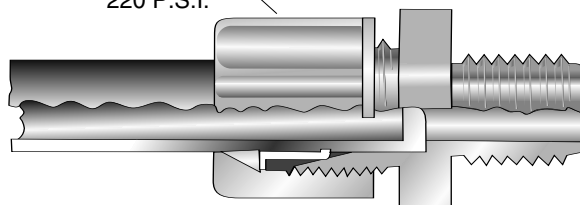
- O = Standard - \*50 P.S.I.
- P.G. = Plastic Gripper for plastic tubing - \*220 P.S.I.
- S.G. = Stainless Steel Gripper for use with hard surfaced tubing - \*220 P.S.I.

It is not necessary to designate the nut size when ordering complete units as this will be determined by the tube size indication in the part number.

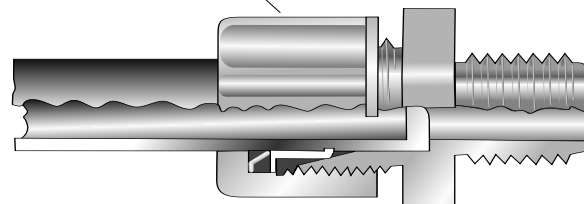
**FERRULE NUT**  
WITH INTEGRAL SLEEVE  
LOW PRESSURE APPLICATIONS  
SOFT PLASTIC TUBING  
\*50 P.S.I.



WITH PLASTIC GRIPPER  
FOR USE WITH PLASTIC TUBING  
FOR SURE GRIP  
\*220 P.S.I.



WITH STAINLESS STEEL GRIPPER  
FOR USE WITH HARD AND SMOOTH  
SURFACED TUBING  
\*220 P.S.I.



Note: Fitting dimensions as described in this brochure may not reflect running changes made to improve part performance. Check with JACO Manufacturing Company in critical applications.

\*Operating pressures of JACO Tube Fittings are regulated by ambient and fluid temperatures, type of fluid being carried, tubing type, and conditions of mechanical abuse. Pressures in excess of above specifications in all fitting sizes should be tested by the customer in their particular application.



Visit our Web Page:  
[www.jacomfg.com](http://www.jacomfg.com)

for the following information:

- Latest Part Information
- List of our Current Authorized Distributors
- Standard Pack Information

## Terms

Prices subject to change without notice. Fittings are priced as complete units. Ordering Nuts and Bodies separately will not raise quantity to higher discount schedule. Pricing is based on per order per release. Discounts apply only to pack quantities.

TERMS: NET 30 Days

FREIGHT: F.O.B. Berea, Ohio U.S.A.

MINIMUM ORDER U.S.A. \$100.00 NET;  
FOREIGN \$150.00 NET

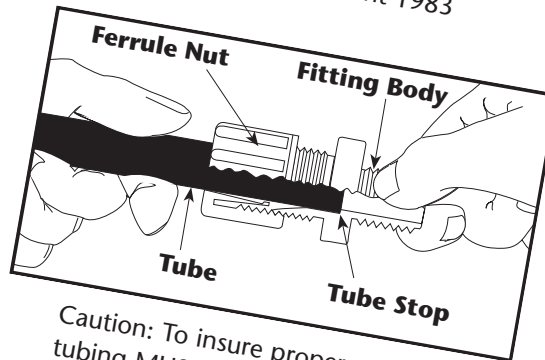
DISCOUNTS APPLY ONLY IF INVOICE TERMS ARE MET.

### INSTALLATION INSTRUCTIONS FOR JACO TUBE FITTINGS

1. Cut the tubing end squarely and remove the internal and external burrs.
2. Insert the tubing through the back of the nut all the way through the nut assembly to the tube stop in the fitting body (see illustration). If the tubing does not enter the nut easily, loosen the nut one turn and then insert the tubing all the way to the tube stop in the fitting body.
3. Turn the nut hand tight.
4. Wrench tighten the nut 1-1/2 - 2 turns.
5. All nuts must be retightened when the system reaches projected operating temperature.

NOTE: Squeaking sound when tightening nut is normal. For pipe threaded connections, Teflon Tape\* must be used.

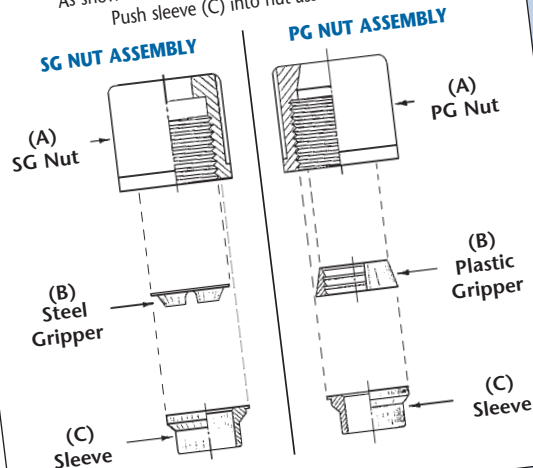
\*Dupont's Reg. T.M. Patent 1983



Caution: To insure proper assembly, tubing MUST be fully inserted into the fitting body to the tube stop.

### ASSEMBLY INSTRUCTIONS FOR JACO NUTS

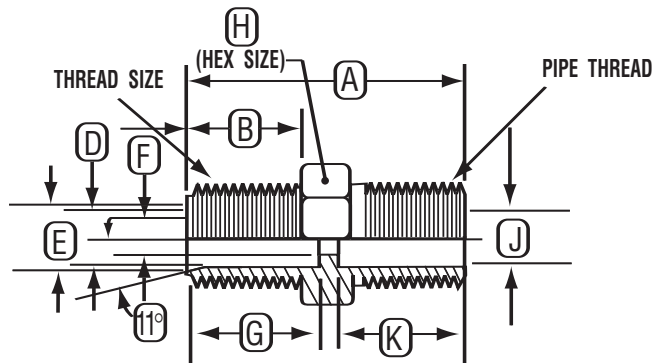
Please follow these diagrams in assembling nuts. As shown below, insert gripper (B) into nut (A). Push sleeve (C) into nut assembly.



NOTE: It is not necessary to disassemble this fitting for application. Merely insert tubing to stop and tighten nut.

# MALE CONNECTORS

# 10



## SPECIFICATIONS

JACO Part No. Prefix	Tube O.D.	Pipe Thd.	Thread	A ± 1/64	B ± 1/64	D +.005 /.010	E	F ± .010	G ± 1/64	H ± 1/64	J ± 1/64	K ± 1/64
10-2-2	1/8	1/8	5/16-24	7/8	5/16	.125	.175 - .180	.109	7/16	7/16	15/64	25/64
10-4-2	1/4	1/8	7/16-20	63/64	3/8	.250	.330 - .335	.170	15/32	5/8	3/16	15/32
10-4-4	1/4	1/4	7/16-20	1-3/16	11/32	.250	.330 - .335	.170	15/32	5/8	5/16	11/16
10-4-6	1/4	3/8	7/16-20	1-13/64	3/8	.250	.330 - .335	.170	15/32	13/16	3/8	43/64
10-5-2	5/16	1/8	1/2-20	1	3/8	.312	.380 - .385	.250	31/64	11/16	1/4	Thru
10-5-4	5/16	1/4	1/2-20	1-3/16	3/8	.312	.380 - .385	.232	31/64	11/16	5/16	41/64
10-6-2	3/8	1/8	5/8-20	1-9/64	15/32	.375	.460 - .465	.250	19/32	13/16	1/4	Thru
10-6-4	3/8	1/4	5/8-20	1-5/16	29/64	.375	.460 - .465	.312	19/32	13/16	5/16	Thru
10-6-6	3/8	3/8	5/8-20	1-11/32	29/64	.375	.460 - .465	.250	19/32	13/16	3/8	23/32
10-6-8	3/8	1/2	5/8-20	1-19/32	15/32	.375	.460 - .465	.250	19/32	15/16	15/32	15/16
10-8-2	1/2	1/8	3/4-20	1-15/64	9/16	.500	.590 - .595	.250	11/16	15/16	1/4	Thru
10-8-4	1/2	1/4	3/4-20	1-27/64	9/16	.500	.590 - .595	.312	11/16	15/16	5/16	Thru
10-8-6	1/2	3/8	3/4-20	1-15/32	9/16	.500	.590 - .595	.375	11/16	15/16	3/8	Thru
10-8-8	1/2	1/2	3/4-20	1-5/8	9/16	.500	.590 - .595	.375	11/16	15/16	15/32	57/64
10-10-6	5/8	3/8	7/8-20	1-31/64	19/32	.625	.715 - .720	.375	45/64	1-1/16	3/8	Thru
10-10-8	5/8	1/2	7/8-20	1-5/8	19/32	.625	.715 - .720	.484	45/64	1-1/16	31/64	Thru
10-12-8	3/4	1/2	1-1/16-20	1-51/64	43/64	.750	.860 - .865	.500	13/16	1-5/16	1/2	Thru
10-12-12	3/4	3/4	1-1/16-20	1-5/16	43/64	.750	.860 - .865	.625	13/16	1-5/16	5/8	Thru
10-14-12	7/8	3/4	1-3/16-16	2	3/4	.875	.995 - 1.000	.625	7/8	1-7/16	5/8	Thru

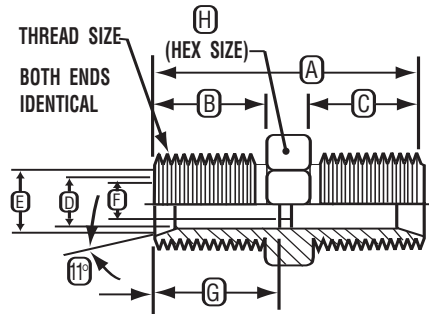
Parts available in: NYLON, CELCON (Acetal), POLYPROPYLENE, and KYNAR (Polyvinylidene Fluoride)

Sizes indicated are based on Celcon material (Acetal).

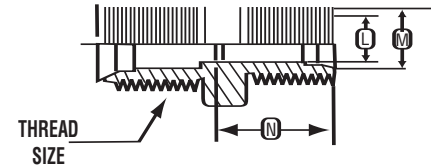
440-234-4000 Phone  
800-229-JACO Toll-Free  
440-234-7007 Fittings Fax  
www.jacomfg.com

# UNION & REDUCING UNION CONNECTORS

# 15



Union Connectors



Reducing Unions

## UNION CONNECTORS

JACO Part No.	SPECIFICATIONS									
	Tube O.D.	Thread	A	B	D	E	F	G	H	
15-4	1/4	7/16-20	63/64	3/8	.250	.330 - .335	.170	15/32	5/8	
15-5	5/16	1/2-20	1-1/32	25/64	.312	.380 - .385	.232	31/64	11/16	
15-6	3/8	5/8-20	1-15/64	15/32	.375	.460 - .465	.250	19/32	13/16	
15-8	1/2	3/4-20	1-7/16	9/16	.500	.590 - .595	.375	11/16	15/16	
15-10	5/8	7/8-20	1-1/2	19/32	.625	.715 - .720	.500	45/64	1-1/16	
15-12	3/4	1-1/16-20	1-3/4	43/64	.750	.860 - .865	.625	13/16	1-5/16	
15-14	7/8	1-3/16-16	1-57/64	3/4	.875	.995 - 1.000	.750	7/8	1-7/16	

## REDUCING UNIONS

JACO Part No.	SPECIFICATIONS													
	Tube O.D.	Thd.	Thread	A	B	C	D	E	F	G	H	L	M	N
15-4-2	1/4 - 1/8	7/16-20	5/16-24	59/64	3/8	5/16	.250	.330 - .335	.109	15/32	5/8	.125	.175 - .180	7/16
15-5-4	5/16 - 1/4	1/2-20	7/16-20	1	3/8	3/8	.312	.380 - .385	.170	31/64	11/16	.250	.330 - .335	15/32
15-6-4	3/8 - 1/4	5/8-20	7/16-20	1-3/16	29/64	29/64	.375	.460 - .465	.170	19/32	13/16	.250	.330 - .335	15/32
15-8-6	1/2 - 3/8	3/4-20	5/8-20	1-5/16	9/16	29/64	.500	.590 - .595	.250	11/16	15/16	.375	.460 - .465	19/32
15-10-6	5/8 - 3/8	7/8-20	5/8-20	1-23/64	19/32	15/32	.625	.715 - .720	.250	45/64	1-1/16	.375	.460 - .465	19/32
15-10-8	5/8 - 1/2	7/8-20	3/4-20	1-15/32	19/32	9/16	.625	.715 - .720	.375	45/64	1-1/16	.500	.590 - .595	11/16
15-14-10	7/8 - 5/8	1-3/16-16	7/8-20	1-21/32	3/4	17/32	.875	.995 - 1.000	.500	7/8	1-7/16	.625	.715 - .720	45/64

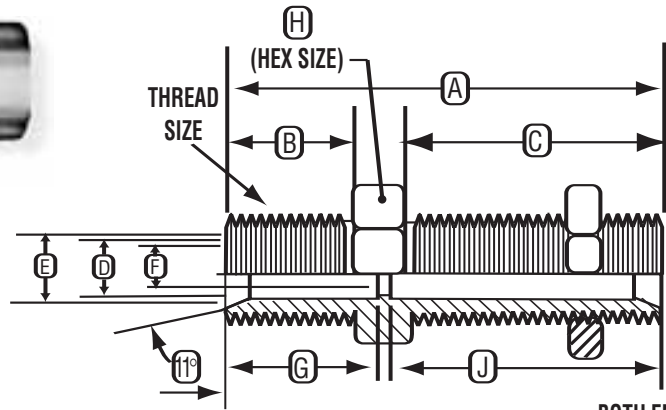
Parts available in: NYLON, CELCON (Acetal), POLYPROPYLENE, and KYNAR (Polyvinylidene Fluoride)

Sizes indicated are based on Celcon material (Acetal).

440-234-4000 Phone  
800-229-JACO Toll-Free  
440-234-7007 Fittings Fax  
www.jacomfg.com

# BULKHEAD UNIONS

# 20

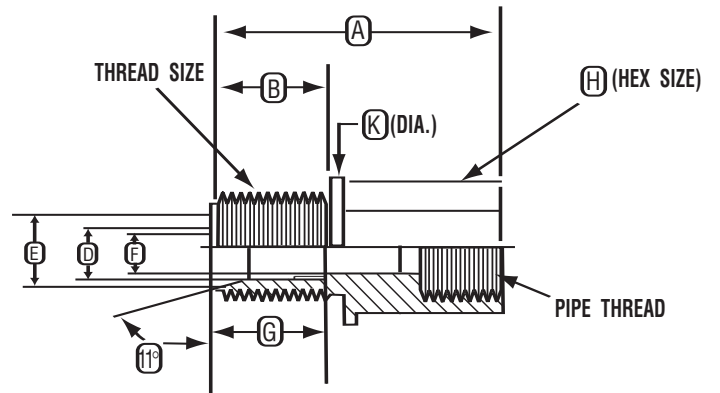


BOTH ENDS IDENTICAL

JACO Part No.	SPECIFICATIONS										
	Tube O.D.	Thread	A	B	C	D	E	F	G	H	J
20-4	1/4	7/16-20	1-31/64	23/64	7/8	.250	.330 - .335	.170	15/32	5/8	31/32
20-5	5/16	1/2-20	1-5/8	23/64	63/64	.312	.380 - .385	.232	31/64	11/16	1-3/32
20-6	3/8	5/8-20	1-49/64	29/64	1-1/64	.375	.460 - .465	.250	19/32	13/16	1-1/8
20-8	1/2	3/4-20	1-7/8	35/64	1-3/64	.500	.590 - .595	.375	11/16	15/16	1-9/64
20-12	3/4	1-1/16-20	2-13/64	43/64	1-11/32	.750	.860 - .865	.625	13/16	1-5/16	1-15/32

# FEMALE CONNECTORS

# 25



JACO Part No.	SPECIFICATIONS										
	Tube O.D.	Pipe Thd.	Thread	A	B	D	E	F	G	H	K
25-4-2	1/4	1/8	7/16-20	59/64	23/64	.250	.330 - .335	.170	15/32	43/64	25/64
25-4-4	1/4	1/4	7/16-20	1-3/32	3/8	.250	.330 - .335	.170	15/32	51/64	29/32
25-5-4	5/16	1/4	1/2-20	1-7/32	15/32	.312	.380 - .385	.232	31/64	3/4	13/16
25-6-4	3/8	1/4	5/8-20	1-13/64	29/64	.375	.460 - .465	.250	9/16	3/4	13/16
25-6-6	3/8	3/8	5/8-20	1-7/32	15/32	.375	.460 - .465	.250	19/32	15/16	N/A
25-6-8	3/8	1/2	5/8-20	1-17/64	15/32	.375	.460 - .465	.250	19/32	1-1/16	N/A
25-8-6	1/2	3/8	3/4-20	1-9/32	39/64	.500	.590 - .595	.375	11/16	15/16	N/A
25-8-8	1/2	1/2	3/4-20	1-9/32	9/16	.500	.590 - .595	.375	11/16	1-1/16	N/A
25-10-8	5/8	1/2	7/8-20	1-1/2	11/16	.625	.715 - .720	.500	45/64	1-1/16	N/A

Parts available in: NYLON, CELCON (Acetal), POLYPROPYLENE, and KYNAR (Polyvinylidene Fluoride)

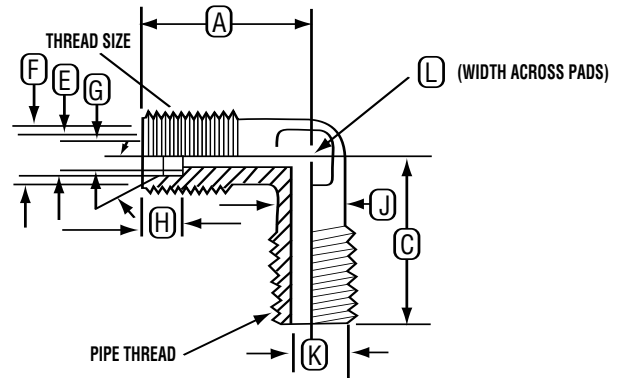
Sizes indicated are based on Celcon material (Acetal).

440-234-4000 Phone  
800-229-JACO Toll-Free  
440-234-7007 Fittings Fax  
www.jacomfg.com



# MALE ELBOWS

# 40

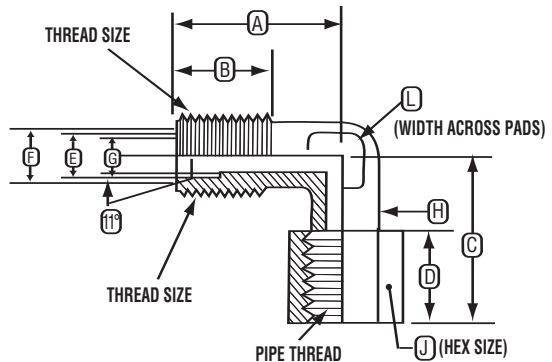


## SPECIFICATIONS

JACO Part No.	Tube O.D.	Pipe Thr.	Thread	A	C	E		F	G	H	J	K	L
				± 1/64	± 1/64	.005	.010	± 1/64	± 1/64	± 1/64	± 1/64	± 1/64	
40-2-2	1/8	1/8	5/16-24	9/16	5/8	.125	.175 - .180	.109	7/16	1/4	13/16	1/4	
40-4-2	1/4	1/8	7/16-20	13/16	13/16	.250	.330 - .335	.170	15/32	3/8	.250	3/8	
40-4-4	1/4	1/4	7/16-20	13/16	1-1/64	.250	.330 - .335	.218	15/32	3/8	9/32	3/8	
40-4-6	1/4	3/8	7/16-20	55/64	1-1/32	.250	.330 - .335	.218	15/32	35/64	3/8	35/64	
40-5-2	5/16	1/8	1/2-20	29/32	29/32	.312	.380 - .385	.232	31/64	7/16	1/4	7/16	
40-5-4	5/16	1/4	1/2-20	29/32	1-5/64	.312	.380 - .385	.232	31/64	7/16	1/4	7/16	
40-6-4	3/8	1/4	5/8-20	15/16	1-1/32	.375	.460 - .465	.250	19/32	37/64	5/16	37/64	
40-6-6	3/8	3/8	5/8-20	15/16	1-1/32	.375	.460 - .465	.250	19/32	9/16	3/8	9/16	
40-8-4	1/2	1/4	3/4-20	1-3/32	1-1/8	.500	.590 - .595	.375	11/16	11/16	5/16	11/16	
40-8-6	1/2	3/8	3/4-20	1-5/64	1-1/8	.500	.590 - .595	.375	11/16	11/16	3/8	11/16	
40-8-8	1/2	1/2	3/4-20	1-1/16	1-1/4	.500	.590 - .595	.375	11/16	11/16	3/8	11/16	
40-10-6	5/8	3/8	7/8-20	1-17/64	1-17/64	.625	.715 - .720	.500	45/64	13/16	3/8	55/64	
40-10-8	5/8	1/2	7/8-20	1-9/32	1-29/64	.625	.715 - .720	.500	45/64	13/16	1/2	55/64	

# FEMALE ELBOWS

# 45



## SPECIFICATIONS

JACO Part No.	Tube O.D.	Pipe Thd.	Thread	A	B	C	D	E	F	G	H	J	I
				± 1/64	± 1/64	± 1/64	± 1/64	.005/	± 1/64	± 1/64	± 1/64	± 1/64	
45-2-4	1/8	1/4	5/16-24	51/64	7/16	31/32	11/16	.125	.175 - .180	.109	23/64	43/64	23/64
45-4-2	1/4	1/8	7/16-20	13/16	15/32	3/4	1/2	.250	.330 - .335	.170	3/8	9/16	3/8
45-4-4	1/4	1/4	7/16-20	13/16	15/32	31/32	43/64	.250	.330 - .335	.170	3/8	51/64	3/8
45-5-4	5/16	1/4	1/2-20	15/16	31/64	1	11/16	.312	.380 - .385	.232	7/16	25/32	7/16
45-6-4	3/8	1/4	5/8-20	1	19/32	1-1/64	11/16	.375	.460 - .465	.250	9/16	13/16	9/16
45-6-6	3/8	3/8	5/8-20	15/16	19/32	1-1/32	11/16	.375	.460 - .465	.250	9/16	13/16	9/16
45-8-6	1/2	3/8	3/4-20	1-1/16	11/16	1-1/64	13/16	.500	.590 - .595	.375	11/16	29/32	45/64
45-8-8	1/2	1/2	3/4-20	1-1/16	11/16	1-21/64	13/16	.500	.590 - .595	.375	11/16	29/32	45/64
45-10-8	5/8	1/2	7/8-20	1-25/64	45/64	1-1/16	1-1/16	.625	.715 - .720	.500	13/16	1-1/16	13/16

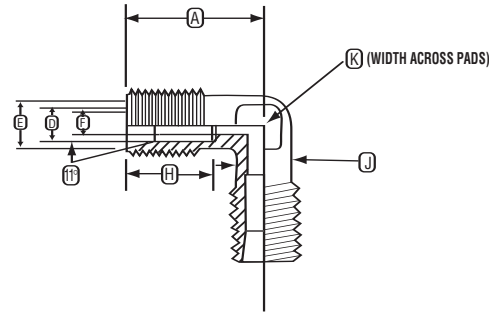
Parts available in: NYLON, CELCON (Acetal), POLYPROPYLENE, and KYNAR (Polyvinylidene Fluoride)

Sizes indicated are based on Celcon material (Acetal).

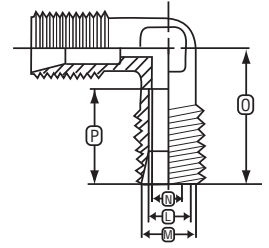
**440-234-4000 Phone**  
**800-229-JACO Toll-Free**  
**440-234-7007 Fittings Fax**  
**www.jacomfg.com**

# UNION & REDUCING ELBOWS

# 50



Union Elbows



Reducing Union Elbows

## UNION ELBOWS

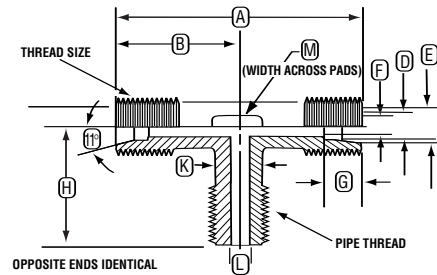
JACO Part No.	SPECIFICATIONS									
	Tube O.D.	Thread	A	D	E	F	H	J	K	
50-4	1/4	7/16-20	13/16	.250	.330 - .335	.170	15/32	3/8	3/8	
50-5	5/16	1/2-20	29/32	.312	.380 - .385	.232	31/64	7/16	7/16	
50-6	3/8	5/8-20	15/16	.375	.460 - .465	.250	19/32	9/16	9/16	
50-8	1/2	3/4-20	1-1/16	.500	.590 - .595	.375	11/16	11/16	45/64	
50-10	5/8	7/8-20	1-1/4	.625	.715 - .720	.500	45/64	13/16	55/64	
50-12	3/4	1-1/16	1-35/64	.750	.860 - .865	.625	13/16	1	1	
50-14	7/8	1-3/16-16	1-9/16	.875	.995 - 1.000	.750	7/8	1-1/8	1-3/16	

## REDUCING UNION ELBOWS

JACO Part No.	SPECIFICATIONS													
	Tube O.D.	Thread	A	D	E	F	H	J	K	L	M	N	O	P
50-14-10	7/8 - 5/8	1-3/16-20 - 7/8-20	1-9/16	.875	.995 - 1.000	.750	7/8	1 1/8	1-3/16	.625	.715 - .720	.500	1-29/64	45/64

# MALE BRANCH TEES

# 60



OPPOSITE ENDS IDENTICAL

JACO Part No.	SPECIFICATIONS												
	Tube O.D.	Pipe Thd.	Thread	A	B	D	E	F	G	H	K	L	M
60-4-2	1/4	1/8	7/16-20	1-29/64	47/64	.250	.330 - .335	.170	15/32	3/4	3/8	1/4	3/8
60-4-4	1/4	1/4	7/16-20	1-15/32	47/64	.250	.330 - .335	.170	15/32	59/64	3/8	5/16	3/8
60-5-4	5/16	1/4	1/2-20	1-39/64	13/16	.312	.380 - .385	.232	31/64	63/64	7/16	9/32	7/16
60-6-4	3/8	1/4	5/8-20	1-15/16	31/32	.375	.460 - .465	.250	19/32	1-1/16	9/16	5/16	9/16
60-6-6	3/8	3/8	5/8-20	1-29/32	61/64	.375	.460 - .465	.250	19/32	1-3/32	1/2	3/8	1/2
60-8-6	1/2	3/8	3/4-20	2-13/64	1-7/64	.500	.590 - .595	.375	11/16	1-5/32	43/64	25/64	43/64
60-8-8	1/2	1/2	3/4-20	2-7/32	1-1/8	.500	.590 - .595	.375	11/16	1-21/64	5/8	31/64	39/64
60-10-8	5/8	1/2	7/8-20	2-17/32	1-1/4	.625	.715 - .720	.500	45/64	1-7/16	13/16	1/2	13/16
60-12-8	3/4	1/2	1-1/16-20	3-7/64	1-9/16	.750	.860 - .865	.625	13/16	1-41/64	1-1/16	9/16	1-1/16
60-12-12	3/4	3/4	1-1/16-20	3-7/64	1-9/16	.750	.860 - .965	.625	13/16	1-41/64	1-1/16	11/16	1-1/16
60-14-12	7/8	3/4	1-3/16-16	3-3/32	1-35/64	.875	.995 - 1.000	.750	7/8	1-5/8	1-3/16	11/16	1-3/16

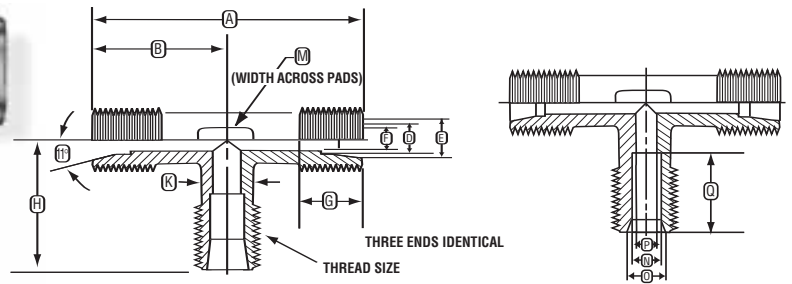
Parts available in: NYLON, CELCON (Acetal), POLYPROPYLENE, and KYNAR (Polyvinylidene Fluoride)

Sizes indicated are based on Celcon material (Acetal).

440-234-4000 Phone  
800-229-JACO Toll-Free  
440-234-7007 Fittings Fax  
www.jacomfg.com

# UNION TEES

# 70

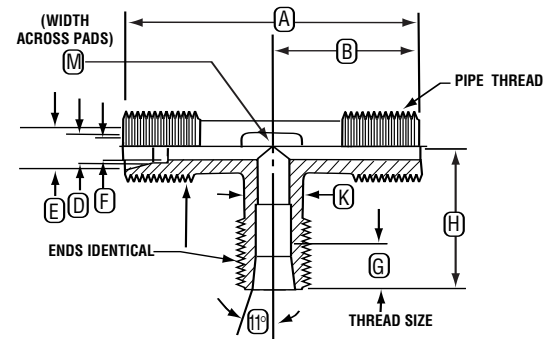


## SPECIFICATIONS

JACO Part No.	Tube O.D.	Thread	A	B	D	E	F	G	H	K	M	N	O	P	Q
			± 1/64	± 1/64	+.005/ .010		± 1/64	± 1/64	± 1/64	± 1/64	± 1/64	+.005/ .010		± .010	± 1/64
70-2	1/8	5/16-24	1-1/8	9/16	.125	.175 - .180	.109	7/16	17/32	1/4	1/4	N/A	N/A	N/A	N/A
70-4	1/4	7/16-20	1-7/16	47/64	.250	.330 - .335	.218	15/32	23/32	3/8	23/64	N/A	N/A	N/A	N/A
70-5	5/16	1/2-20	1-19/32	13/16	.312	.380 - .385	.232	31/64	13/16	7/16	29/64	N/A	N/A	N/A	N/A
70-6	3/8	5/8-20	1-59/64	31/32	.375	.460 - .465	.250	19/32	31/32	35/64	35/64	N/A	N/A	N/A	N/A
70-8	1/2	3/4-20	2-1/8	1-1/16	.500	.590 - .595	.375	11/16	1-1/16	43/64	11/16	N/A	N/A	N/A	N/A
70-10	5/8	7/8-20	2-35/64	1-17/64	.625	.715 - .720	.500	45/64	1-1/4	53/64	53/64	N/A	N/A	N/A	N/A
70-12	3/4	1-1/16-20	3-3/32	1-35/64	.750	.860 - .865	.625	13/16	1-35/64	1	1-1/16	N/A	N/A	N/A	N/A
70-14	7/8	1-3/16-16	3-3/32	1-35/64	.875	.995 - 1.000	.750	7/8	1-35/64	1-1/8	1-3/16	N/A	N/A	N/A	N/A
70-10-6	5/8 - 3/8	7/8-20 - 5/8-20	2-17/32	1-17/64	.625	.715 - .720	.500	45/64	1-9/64	13/16	13/16	.375	.460 - .465	.250	19/32
70-14-10	7/8 - 5/8	1-3/16-16 - 7/8-20	3-3/32	1-35/64	.875	.995 - 1.000	.750	7/8	1-7/16	1-9/64	1-5/32	.625	.715 - .720	.500	45/64
70-14-10-10	7/8 - 5/8	1-3/16-16 - 7/8-20	3-1/64	1-29/64	.875	.995 - 1.000	.500	7/8	1-7/16	1-9/64	1-5/32	.625	.715 - .720	.500	45/64

# MALE RUN TEES

# 75



## SPECIFICATIONS

JACO Part No.	Tube O.D.	Pipe Thd.	Thread	A	B	D	E	F	G	H	K	M
				± 1/64	± 1/64	+.005/ .010		± .010	± 1/64	± 1/64	± 1/64	± 1/64
75-4-2	1/4	1/8	7/16-20	1-15/32	3/4	.250	.330 - .335	.170	15/32	47/64	3/8	23/64
75-4-4	1/4	1/4	7/16-20	1-21/32	15/16	.250	.330 - .335	.170	15/32	47/64	3/8	3/8
75-5-4	5/16	1/4	1/2-20	1-3/16	1-1/64	.312	.380 - .385	.232	31/64	13/16	7/16	7/16
75-6-4	3/8	1/4	5/8-20	2	1-3/64	.375	.460 - .465	.250	19/32	31/32	35/64	35/64
75-6-6	3/8	3/8	5/8-20	2-1/8	1-3/32	.375	.460 - .465	.250	19/32	31/32	37/64	37/64
75-8-6	1/2	3/8	3/4-20	2-1/4	1-9/64	.500	.590 - .595	.375	11/16	1-7/64	11/16	11/16
75-8-8	1/2	1/2	3/4-20	2-3/8	1-9/32	.500	.590 - .595	.375	11/16	1-3/32	21/32	43/64
75-10-8	5/8	1/2	7/8-20	2-47/64	1-15/32	.625	.715 - .720	.500	45/64	1-1/4	13/16	13/16
75-12-8	3/4	1/2	1-1/16-20	3-3/16	1-39/64	.750	.860 - .865	.625	13/16	1-37/64	1	1-3/64
75-12-12	3/4	3/4	1-1/16-20	3-3/16	1-5/8	.750	.860 - .865	.625	13/16	1-9/16	1	1-3/64
75-14-12	7/8	3/4	1-3/16-16	3-3/16	1-5/8	.875	.995 - 1.000	.750	7/8	1-9/16	1-1/8	1-3/16

Parts available in: NYLON, CELCON (Acetal), POLYPROPYLENE, and KYNAR (Polyvinylidene Fluoride)

Sizes indicated are based on Celcon material (Acetal).

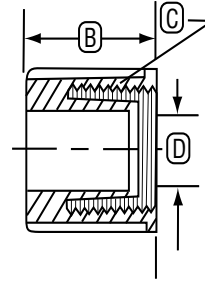
440-234-4000 Phone  
800-229-JACO Toll-Free  
440-234-7007 Fittings Fax  
www.jacomfg.com

# COMPRESSION NUTS

## Ferrule Nuts with Integral Sleeve

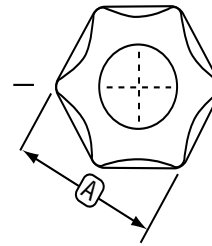


JACO Part No.	SPECIFICATIONS				
	Tube O.D.	A	B	C	D
0-2	1/8	±1/64	33/64	5/16-24	.125
0-4	1/4	±1/64	5/8	7/16-20	.250
0-5	5/16	±1/64	11/16	1/2-20	.312
0-6	3/8	±1/64	47/64	5/8-20	.375
0-8	1/2	±1/64	7/8	3/4-20	.500



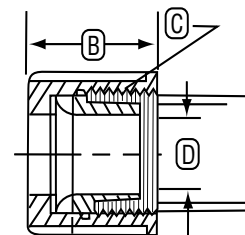
## Plastic Gripper Nuts

JACO Part No.	SPECIFICATIONS				
	Tube O.D.	A	B	C	D
PG-4	1/4	±1/64	43/64	7/16-20	.250
PG-5	5/16	±1/64	47/64	1/2-20	.312
PG-6	3/8	±1/64	23/32	5/8-20	.375
PG-8	1/2	±1/64	7/8	3/4-20	.500
PG-10	5/8	±1/64	7/8	7/8-20	.625
PG-12	3/4	±1/64	1	1-1/16-20	.750
PG-14	7/8	±1/64	1-1/8	1-3/16-16	.875



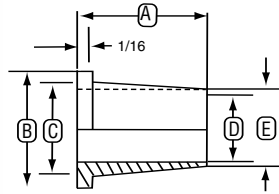
## Stainless Steel Gripper Nuts

JACO Part No.	SPECIFICATIONS				
	Tube O.D.	A	B	C	D
SG-4	1/4	±1/64	43/64	7/16-20	.250
SG-5	5/16	±1/64	47/64	1/2-20	.312
SG-6	3/8	±1/64	23/32	5/8-20	.375
SG-8	1/2	±1/64	55/64	3/4-20	.500
SG-10	5/8	±1/64	7/8	7/8-20	.625
SG-12	3/4	±1/64	1	1-1/16-20	.750
SG-14	7/8	±1/64	1-1/8	1-3/16-16	.875



WITH PLASTIC OR STEEL GRIPPER

# Inserts\*



JACO Part No.	SPECIFICATIONS					
	Tube O.D.	A	B	C	D	E
P-4	1/4	3/8	.240 - .250	.199	1/8	.167
P-5	5/16	13/32	.300 - .312	.217	9/64	.180
P-6	3/8	1/2	.360 - .370	.245 - .250	.200	.235
P-8	1/2	9/16	.475 - .490	.370 - .375	.300	.350

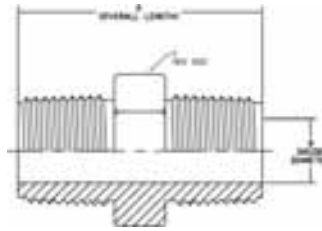
# KYNAR Check Valves\*

- Viton "O" Ring
- Stainless Ball & Spring
- Maximum Operating Temp. 220 P.S.I. @ 180° F
- Cracking Pressure 1-2.5 P.S.I.
- Zero Leakage
- Male Pipe NPT Style



JACO Part No.	SPECIFICATIONS			
	Male Pipe NPT	A ±1/64	B ±1/64	C ±1/64
CV-2 K	1/8	1	3/32	7/16
CV-4 K	1/4	1-13/32	3/16	5/8
CV-6 K	3/8	1-1/2	1/4	13/16
CV-8 K	1/2	1-51/64	11/32	15/16

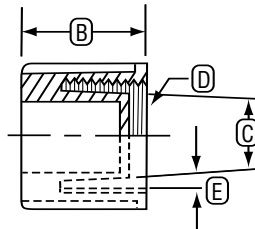
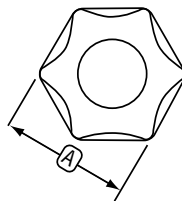
# CELCON and KYNAR Pipe Nipples\* (Non-Stock)



\*These items are offered in addition to our standard fitting product line. Standard discount schedule applies based upon total number of items ordered and are not subject to combined pricing with our standard fitting line.

JACO Part No.	SPECIFICATIONS			
	Male Pipe NPT	A ±1/64	B ±1/64	C ±1/64
PN-2	1/8	1	7/32	7/16
PN-4	1/4	1-13/32	21/64	5/8
PN-6	3/8	1-31/64	25/64	13/16
PN-8	1/2	1-51/64	33/64	15/16

# Blind Nuts



JACO Part No.	SPECIFICATIONS				
	A ±1/64	B ±1/64	C ±.005	D THD	E ±1°
0-2 BLD	7/16	33/64	.170	5/16-24	3°
0-4 BLD	5/8	5/8	.300	7/16-20	3°
0-5 BLD	11/16	11/16	.370	1/2-20	3°
0-6 BLD	13/16	47/64	.455	5/8-20	3°
0-8 BLD	15/16	7/8	.575	3/4-20	3°

# Bulkhead Nuts\*



JACO Part No.
0-4B
0-5B
0-6B
0-8B
0-12B

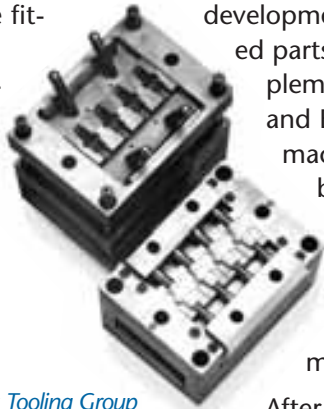


# In-House Tooling and Manufacturing Ensure Quality.

JACO is the most unique fittings company in the industry because it engineers and designs its own fittings, constructs the tooling, and then molds the fittings — all in-house.

JACO's many years as a custom injection molder, designing and producing a wide range of precision, close tolerance parts, has provided the company with the expertise to develop high quality fittings and check valves. By having total control of all manufacturing aspects from design through production, JACO can also control the quality.

JACO's Engineering Group prepares fittings concepts into detailed engineering drawings. In JACO's Tooling Group, tooling experts use sophisticated equipment to design and craft the most complex of molds. JACO has built many varieties of fitting molds and has gained expertise in the



*JACO's Tooling Group creates high precision molds used to manufacture JACO compression plastic tube fittings.*

development of threaded parts. A full complement of CNC and EDM machines, staffed by a team of professionals, deliver superior quality molds.

After tooling, the work transfers to JACO's Molding Group, which utilizes more than 75 injection molding machines. Each day, thousands of fittings are molded to close tolerances with unfailing repeatability.

In order to consistently meet all customer requirements and continually increase customer satisfaction, JACO is committed to the continuous improvement of our products,

our services, and our Quality Management System. This total commitment to Quality has enabled JACO to build and maintain a reputation of absolute trustworthiness. We are committed to providing the people and resources necessary to ensure the highest quality parts. This goal is achievable

with the assistance of JACO's highly trained Quality Assurance Team which accurately measures parts using precision gauges and instrumentation. With the company's various capabilities, it can continuously insure the quality and capability of JACO fittings.



*A full complement of CNC and EDM machines ensure accuracy and quality during the mold manufacturing process.*



# JACO

*Specializing in the manufacture  
of small, close tolerance plastic parts*

**JACO MANUFACTURING COMPANY**  
468 Geiger Street, P.O. Box 619  
Berea, Ohio 44017 U.S.A.

**440/234-4000**

**440/234-7007 FITTINGS FAX**

**Call Toll Free 1-800-229-JACO**

© 2009 JACO MANUFACTURING COMPANY

**[www.jacomfg.com](http://www.jacomfg.com)**

