

## SERIES VF CR | VISI-FLOAT® ACRYLIC FLOWMETERS WITH ROTO-GEAR VALVE TECHNOLOGY

### FEATURES/BENEFITS

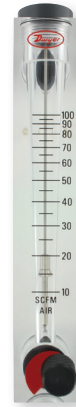
- Patent pending interlocking and rotating gear valve design offers fine flow control with full flow adjustment from fully open to fully closed
- Convenient valve cartridge assembly can easily be removed for effortless cleaning saving time and money
- Direct reading scales are hot stamped into the acrylic body resisting fading or wearing and extending product life
- Bodies are cut and precision machined from solid, clear acrylic blocks with white backgrounds for better visibility of the float, increasing reading accuracy
- Valve design features leak tight closure

### APPLICATIONS

- Medical equipment
- Pollution monitors
- Chemical injectors
- Mining
- Laboratory
- Gas analysis
- Wastewater

### DESCRIPTION

The innovative **SERIES VF CR** Visi-Float® Acrylic Flowmeter with Roto-Gear Technology is a direct reading variable area flowmeter with scales for liquid or gas applications. Roto-gear® technology permits full open to close adjustment while maintaining fine flow control of the process media in one valve design. Installation, operation, and maintenance are simple ensuring a long, accurate, and trouble-free operation life.



**VF CR**  
with 1" female  
NPT connections

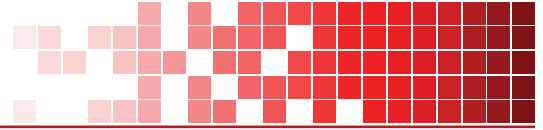


**VF CR II**  
with 1" male  
NPT Connections

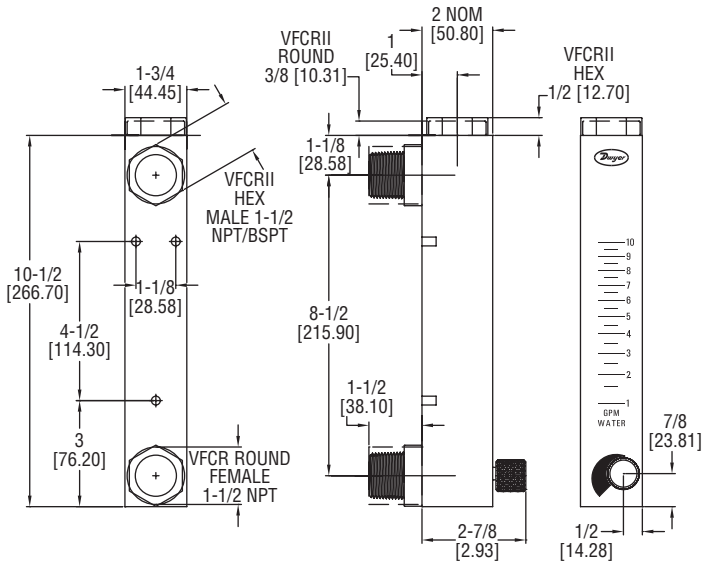
### SPECIFICATIONS

<b>Service</b>	Compatible gases and liquids.
<b>Wetted Materials</b>	Body: Acrylic plastic; O-ring: Buna-N (optional fluoroelastomer); Valve: Delrin®; Float: Stainless steel; Float stop: Polyolefin (range no. 141 Polyolefin and PVC); Float rod: 18-8 SST; Fittings: PVC (VF CR II Delrin®).
<b>Temperature Limit</b>	120° F (48° C).
<b>Pressure Limit</b>	100 psig (6.9 bar).
<b>Accuracy</b>	2% of full scale.
<b>Process Connection</b>	VF CR: 1" female NPT back connections. VF CR II: 1" male NPT back connections.
<b>Scale Length</b>	5" (127 mm).
<b>Mounting Orientation</b>	Mount in vertical position.
<b>Weight</b>	25.6 oz (0.73 kg).

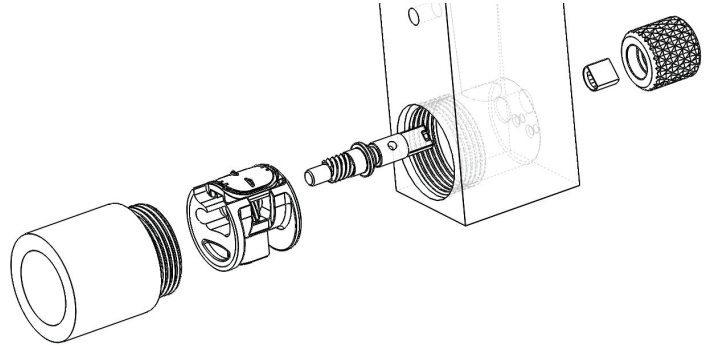




## DIMENSIONS

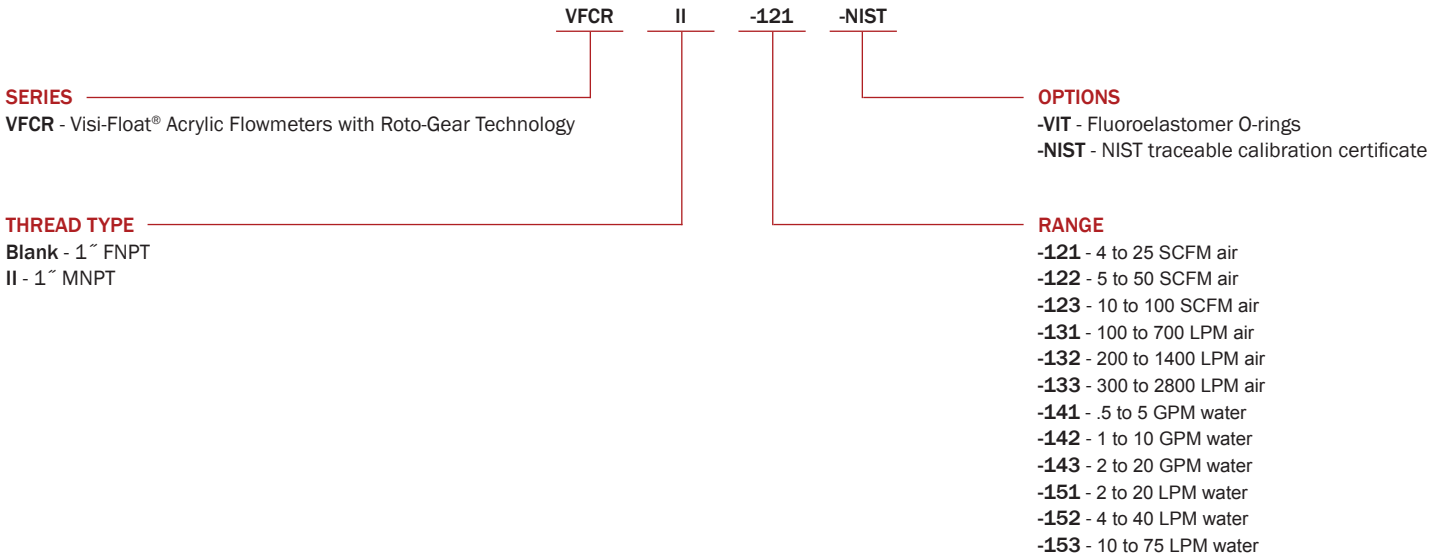


## REMOVABLE VALVE CARTRIDGE ASSEMBLY



## HOW TO ORDER

Use the **bold** characters from the chart below to construct a product code.



Important Notice: Dwyer Instruments, Inc. reserves the right to make changes to or discontinue any product or service identified in this publication without notice. Dwyer advises its customers to obtain the latest version of the relevant information to verify, before placing any orders, that the information being relied upon is current.

