

F-440

Variable Area Flow Meter



Features

- > Polysulfone body resists high temperatures and pressures
- > In-line or panel mount configurations available
- > Indoor use only
- > Full scale accuracy +/- 4%
- > 316SS float & guide-wire

Highlights

Flow range

0.025–10 GPM
0.1–37.5 LPM

Pressures

175 PSI
(12 bar)

Max. fluid temp

212 °F
100 °C

Body

Polysulfone

Adapters

1/4" - 3/4" M/NPT

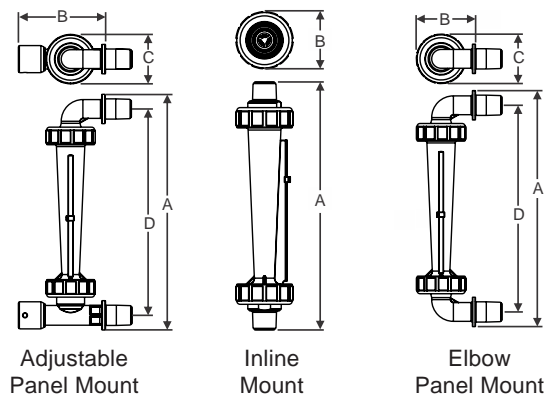
Warranty

1 Year



Maximum Working Pressure	175 PSI (10.3 bar) @ 70 °F (21 °C)
Maximum Fluid Temperature	212 °F (100 °C) @ 0 PSI
Full Scale Accuracy	+/- 4%
Calibration Fluid	water, specific gravity 1.0
Scale Length	2" (50mm) approx.
Environment	Not for direct sunlight exposure
Approximate Shipping Weight	0.5 lb. (0.23 kg)

Dimensions



	Pipe Size	A	B	C	D
Inline	F-44250	6-3/16" 157mm	1-11/16" (43mm)	N/A	N/A
	F-44375				
	F-44376				
	F-44500				
	F-44750	7-1/2" (191mm)	2" (51mm)	N/A	N/A
Elbow	F-44250E	7" (178mm)	3" (76mm)	1-11/16" (43mm)	5-15/16" (151mm)
	F-44375E				
	F-44376E				
	F-44500E				
	F-44750E	8-1/8" (206mm)	3" (76mm)	2" (51mm)	6-13/16" (173mm)
Adjustable	F-44250A	7" (178mm)	4-1/2" (114mm)	1-11/16" (43mm)	6" (152mm)
	F-44375A				
	F-44376A				
	F-44500A				
	F-44750A	8" (203mm)	4-1/2" (114mm)	2" (51mm)	6-13/16" (173mm)

Non-wetted Components:

Union Nuts	Nylon
-------------------	-------

Wetted Components:

Meter Body	Polysulfone
-------------------	-------------

Adapters	Polysulfone M/NPT
-----------------	-------------------

Guide Rod Holder	Polysulfone
-------------------------	-------------

O-ring Seals	Viton® (optional EP)
---------------------	----------------------

Float	316SS, PVDF, or PTFE (per model)
--------------	----------------------------------

Guide Rod	316SS
------------------	-------

Output Specifications

Model	Dual Scale Range		Float Material
	GPM	LPM	
F-44250L	0.025–0.250	0.1–1.0	PVDF
F-44375L	0.1–1.0	0.4–4.0	316 SS
F-44376L	0.2–2.0	0.75–7.5	316 SS
F-44500L	0.5–5.0	1.8–18.0	316 SS
F-44750L	1.0–10.0	5.0–37.5	316 SS

Model Number Matrix

F-440 Model Number

F	Flow Meter						
Series							
	44	F-440 Polysulfone Body					
Scale							
	250	0.025 - .250 gpm (0.1 - 1.0 lpm) PVDF Float					
	375	0.1 - 1.0 gpm (0.4 - 4.0 lpm) 316SS Float					
	376	0.2 - 2.0 gpm (0.8 - 8.0 lpm) 316SS Float					
	500	0.5 - 5.0 gpm (1.8 - 18.0 lpm) 316SS Float					
	750	1.0 - 10 gpm (5.0 - 37.5 lpm) 316SS Float					
Guide-Wire Material							
	L	316 Stainless steel rod					
Installation							
	(Blank)	In-Line Model					
	E	Panel Mount Model					
	A	Adjustable Panel					
Adapter				Adapter (For 750)			
	6	.375" Male npt Polysulfone Adapter and Union			8	.50" Male npt Polysulfone Adapter and Union	
	8	.50" Male npt Polysulfone Adapter and Union			12	.75" Male npt Polysulfone Adapter and Union	
O-Rings							
	(Blank)	Viton					
	-22Q	EP					
F	-	44	250	L	-	6	Sample Model Number

*In-house NIST Calibration, OEM packaging and silicone oil free options are also available.